

# G15 Specifications

## Port Dimensions (16.6 GPM Max.)

### Intake & discharge connection:

Aluminum (ADC-12)	1/2" Female NPT
Polypropylene (PPG)	1/2" Female NPT
Stainless Steel (316)	1/2" Female NPT
Air inlet (incl. ball valve):	1/4" Female NPT
Air exhaust (incl. silencer):	3/8" Female NPT

## Maximum Liquid Temperature\*

Diaphragm Material	Temperature
Buna N	180°F (82°C)
Santoprene® (TPO)	212°F (100°C)
PTFE	212°F (100°C)

\*The maximum liquid temperature for metal pumps is determined by the elastomer (diaphragm material). Polypropylene pumps have a maximum liquid temperature of 180°F (82°C) regardless of diaphragm material.

## Air Supply Pressure (All Models)

20–100 PSI (1.4–7 kgf/cm<sup>2</sup>)

## Discharge Volume Per Cycle

All diaphragms: 0.039 - 0.050 gallons

## Maximum Cycles Per Minute

All diaphragms: 379

## Maximum Size Solid

1/32" (1 mm)

## Maximum Dry Suction Lift

Rubber fitted pump capability: 13.5'

PTFE fitted pump capability: 11'

## Air Motor

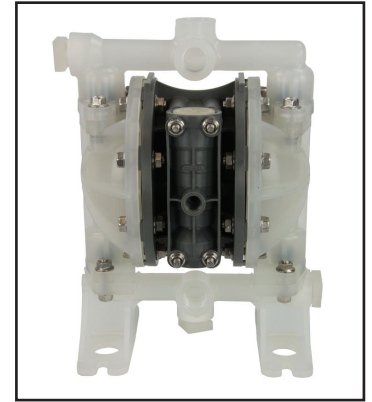
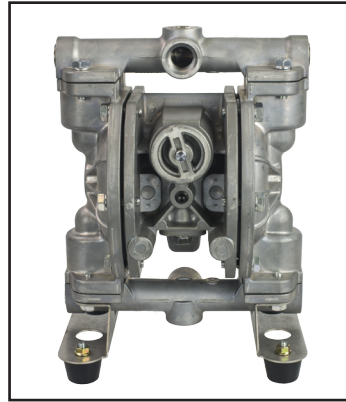
Aluminum air motor standard on metal pumps.

Polypropylene air motor standard on plastic pumps.

## Valve Type

Ball

Notes: Santoprene® fitted pumps include EPDM wetted o-rings.



## Aluminum (NPT)

**Dimensions:** 7.64"W x 10.43"H

**Net Wt.:** 11.9 lbs. (5.4 kg)

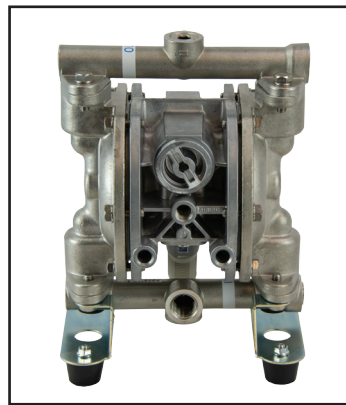
**Shipping Wt.:** 15 lbs.

## Polypropylene

**NPT Dimensions:** 8.58"W x 11.25"H

**Net Wt.:** 5.74 lbs. (2.6 kg)

**Shipping Wt.:** 9 lbs.



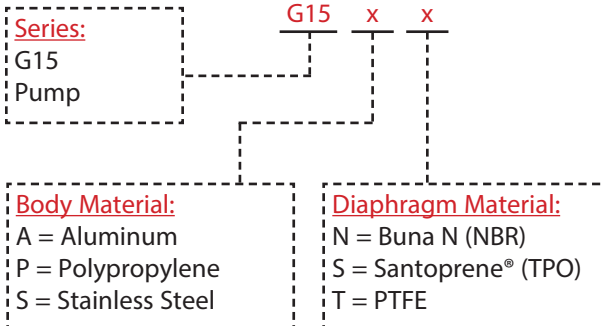
## Stainless Steel (NPT)

**Dimensions:** 7.64"W x 10.43"H

**Net Wt.:** 18.1 lbs. (8.2 kg)

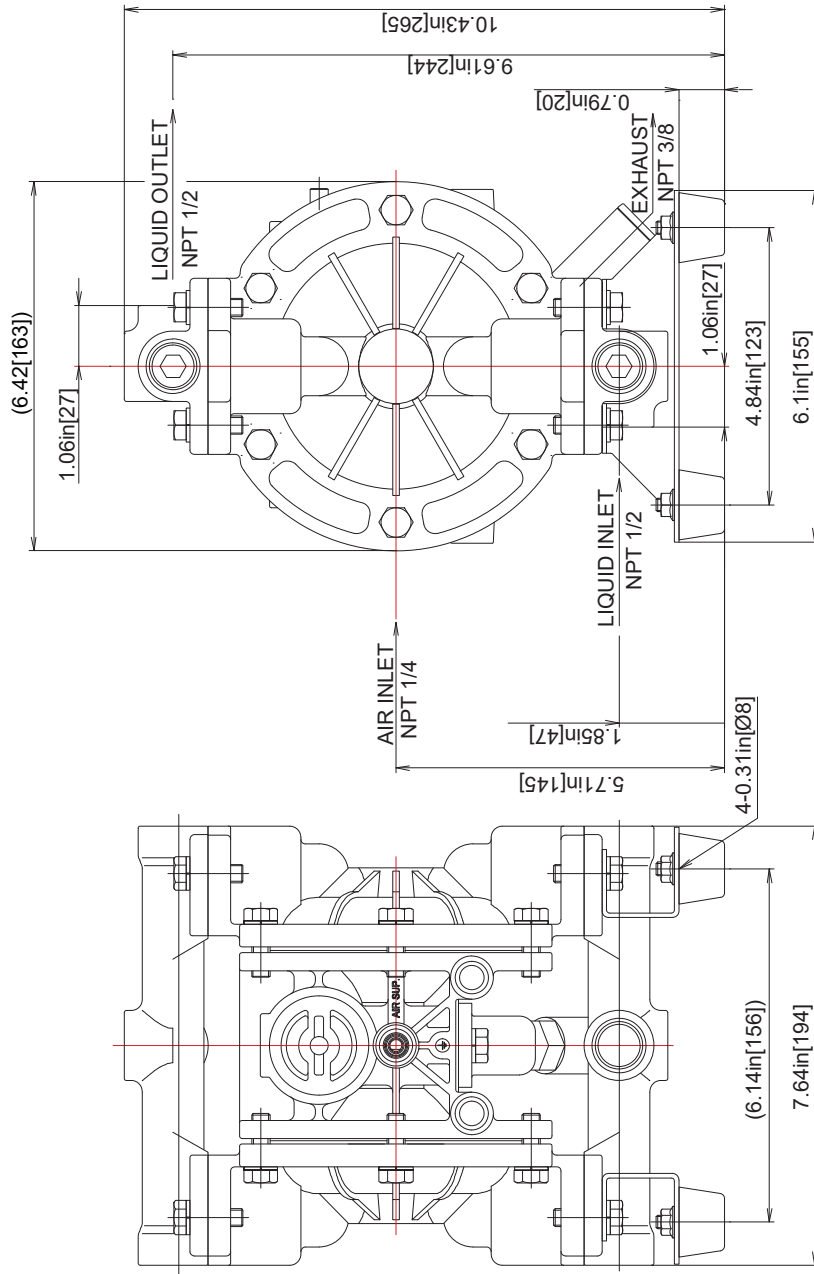
**Shipping Wt.:** 22 lbs.

## Model Number Nomenclature



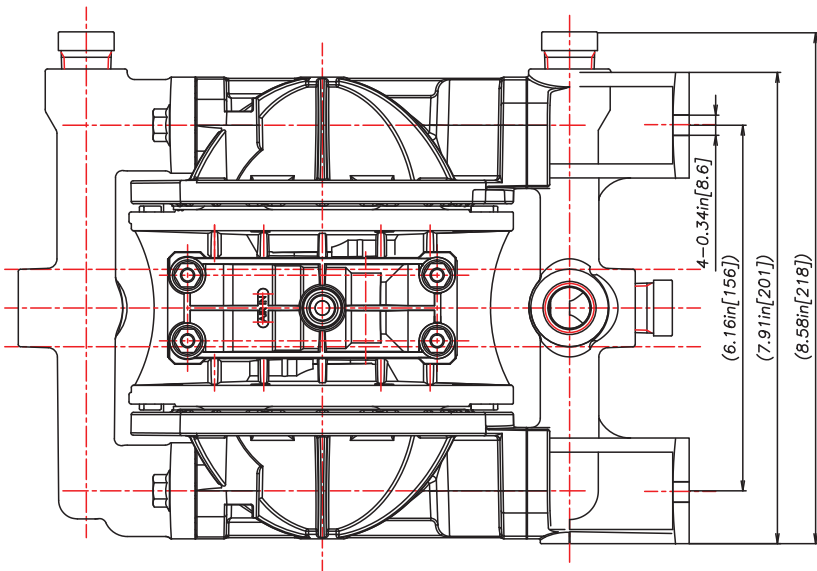
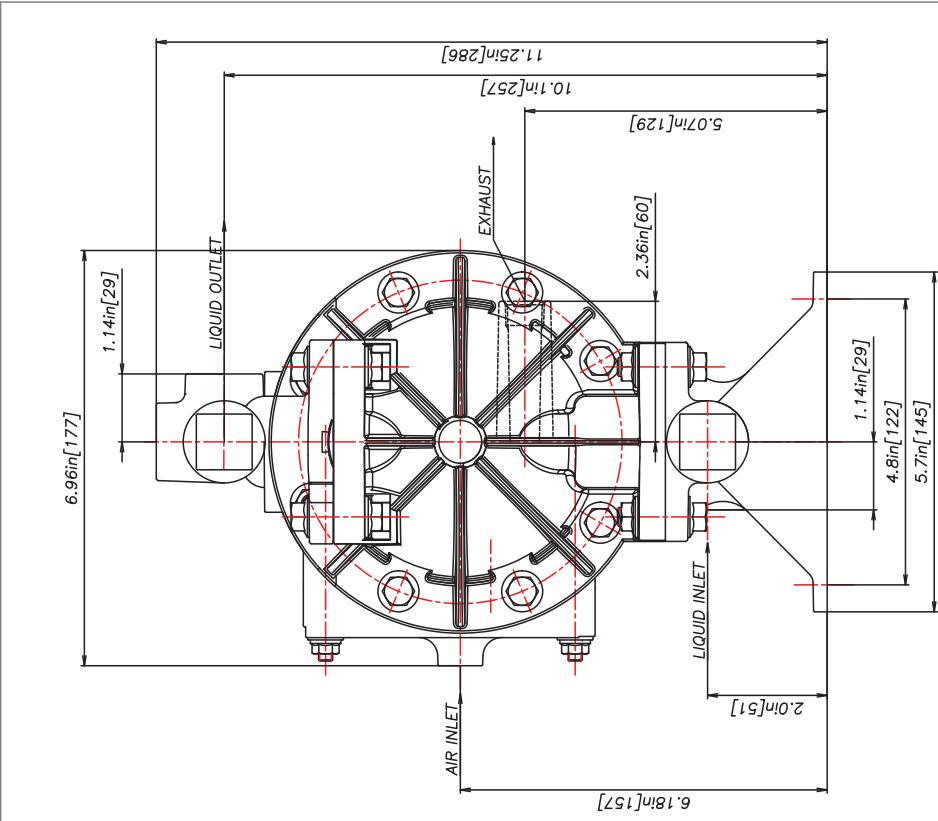
## G15 Series Models

G15AN	G15SN	G15PS
G15AS	G15SS	G15PT
G15AT	G15ST	



REV	DATE	DESCRIPTION	APPR'D
THE DWG. OF:			
<b>DIAPHRAGM PUMP ASSEMBLY</b>			
SCALE	DATE	DRAWN BY	MK
	09/13/2018		
APPROVED BY			
THIRD ANGLE PROJ.	DRAWING NUMBER: G15A		
REV	1		

**YAMADA AMERICA, INC.**  
 955 EAST ALGONQUIN ROAD - ARLINGTON HEIGHTS, ILLINOIS 60005  
 TOLL FREE 800-990-7867 OR 630-231-4083  
 THIS IS A CAD DRAWING AND MUST NOT BE ALTERED MANUALLY.

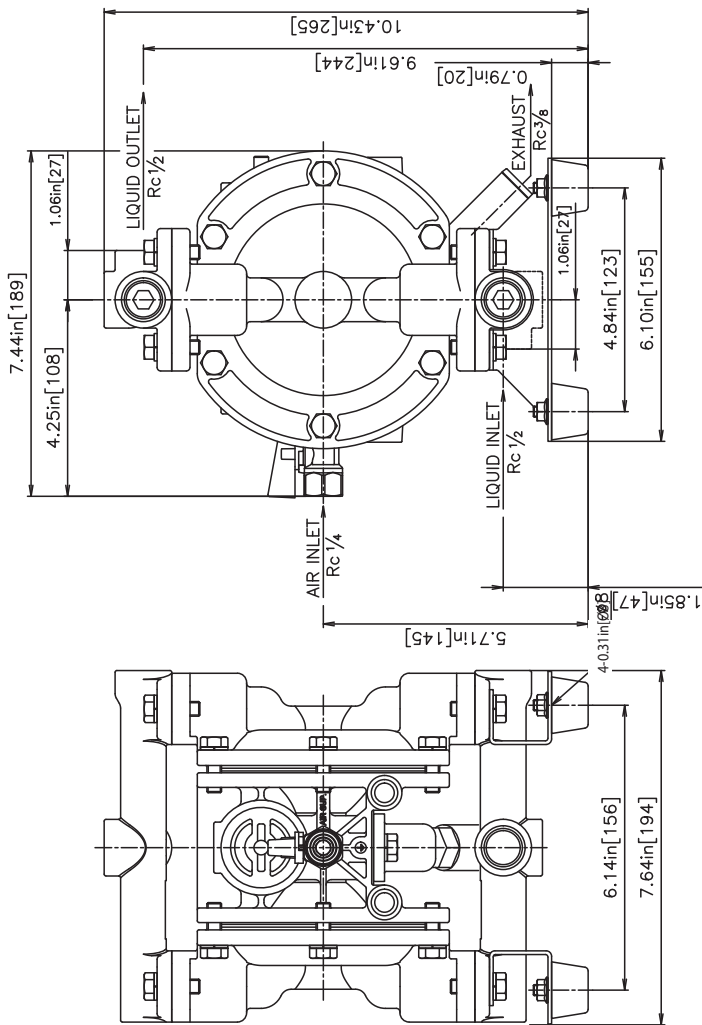


REV	DATE	DESCRIPTION	APPRD

THE DWG-OF: **DIAPHRAGM PUMP ASSEMBLY**

SCALE: **1:1** DRAWN BY: **MK**  
 DATE: **09/13/2018** APPROVED BY:   
 THIRD DRAWING NUMBER: **G15P**  
 ANG: **PRL1** REV: **1**

**YAMADA AMERICA, INC.**  
 955 EAST ALGONQUIN ROAD - ARLINGTON HEIGHTS, ILLINOIS 60005  
 TOLL FREE 800-990-7867 OR 630-231-4083  
 THIS IS A CAD DRAWING AND MUST NOT BE ALTERED MANUALLY.



REV	DATE	DESCRIPTION	APPRD
THE DWG. OF:			
<b>YAMADA DIAPHRAGM PUMP</b>			
SCALE	NTS	DRAWN BY	MK
DATE	01/25/19	APPROVED BY	-
THIRD ANGRD.		DRAWING NUMBER:	G15S
REV			1

**YAMADA AMERICA, INC.**  
 955 EAST ALGONQUIN ROAD - ARLINGTON HEIGHTS, ILLINOIS 60005  
 TOLL FREE 800-990-7867 OR 630-231-4083  
 THIS IS A CAD DRAWING AND MUST NOT BE ALTERED MANUALLY.

**AutoCAD®** is a registered trademark of Autodesk, Inc.

**Hytrel®** is a registered trademark of E.I. du Pont de Nemours and Company.

**Kynar®** is a registered trademark of Arkema.

**Nordel™** is a trademark of DuPont Dow Elastomers.

**Ryton®** is a registered trademark of Chevron Phillips Chemical Company.

**Santoprene®** is a registered trademark of Advanced Elastomer Systems.

**Viton®** is a registered trademark of DuPont Performance Elastomers.

**Swagelok™ & VCR™** are trademarks of the Swagelok Companies.

**Flaretek®** is a registered trademark of Entegris.

**Garlock ONE-UP®** is a registered trademark of W.L. Gore & Associates.

**Yamada®** is a registered trademark of Yamada America, Inc.

**SolidPRO Designed to Pump Fluids Containing Solids®** is a registered trademark of Yamada America, Inc.

**Xtreme Duty Pro XDP®** is a registered trademark of Yamada America, Inc.

**The Proof's in the Pump®** is a registered trademark of Yamada America, Inc.

**The Proof is in the Pump®** is a registered trademark of Yamada America, Inc.

**Engineered to Perform. Designed to Outlast.®** is a registered trademark of Yamada America, Inc.

Due to Yamada's continued commitment to product improvement, specifications may change without notice.